

## Side Thrust Pins

### Press-On Type

#### SPECIFICATION

##### Types

- Type **ENI**: one-sided, ball Stainless Steel
- Type **EKU**: one-sided, ball Plastic
- Type **EST**: one-sided, ball Steel
- Type **BST**: both-sided, ball Steel

Housing Steel, blackened

Sleeve (for Ball)

- Type ENI / EKU: Plastic
- Type EST / BST: Steel, blackened

Ball

- Type ENI: Stainless Steel
- Type EKU: Plastic
- Type EST / BST: Steel

Spring

- Type ENI / EKU: Stainless Steel
- Type EST / BST: elastic plastic

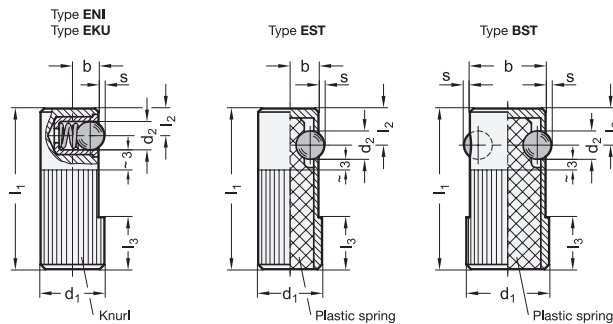
temperature resistant up to 80 °C



#### INFORMATION

Side thrust pins GN 716 are designed for holding, positioning and locating a workpiece.

They have to be pressed into the housing by at least the dimensions  $l_3$ , so as to ensure a positive hold.



#### GN 716

Description	d1	d2	b	l1	l2	l3	s	Spring load in N ≈ initial	Spring load in N ≈ end	Locating bore H8	⚖
GN 716-8-ENI	8	3	3.2	25	3.6	6	0.9	2.5	6.5	8	9
GN 716-10-ENI	10	4	4	30	4.2	7	1	4.5	9	10	17
GN 716-12-ENI	12	5	5	35	4.8	9	1.5	6.5	13	12	29
GN 716-14-ENI	14	6.5	5.4	40	5.8	10	1.8	8	18	14	43
GN 716-8-EKU	8	3	3.2	25	3.6	6	0.9	2.5	6.5	8	9
GN 716-10-EKU	10	4	4	30	4.2	7	1	4.5	9	10	17
GN 716-12-EKU	12	5	5	35	4.8	9	1.5	6.5	13	12	29
GN 716-14-EKU	14	6.5	5.4	40	5.8	10	1.8	8	18	14	43
GN 716-10-EST	10	5.5	4.5	30	7	8	1	50	160	10	9
GN 716-12-EST	12	6.5	5.5	35	8	9	1.5	60	270	12	13
GN 716-14-EST	14	8	6.5	40	9	10	2	100	380	14	19
GN 716-16-BST	16	5.5	15	35	7	11	1.5	36	190	16	20
GN 716-18-BST	18	6.5	17	40	8	12	1.8	38	270	18	27
GN 716-22-BST	22	8	21	45	9	15	2.5	40	410	22	43